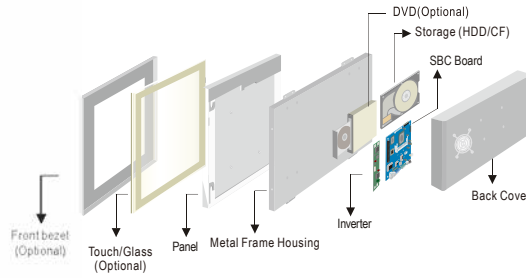


# R17IV7T-PMM1 17" Panel PC (Intel® 3rd Generation Core™ i7/i5/i3)

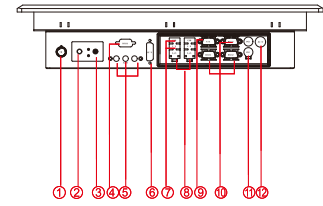
Mechanical Design



**Panel Mount  
(8 mm front bezel)**



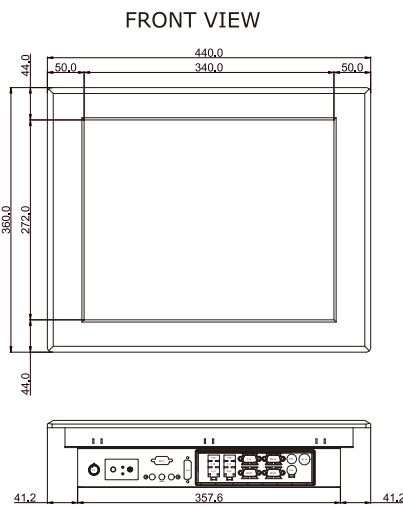
**Mechanical design**



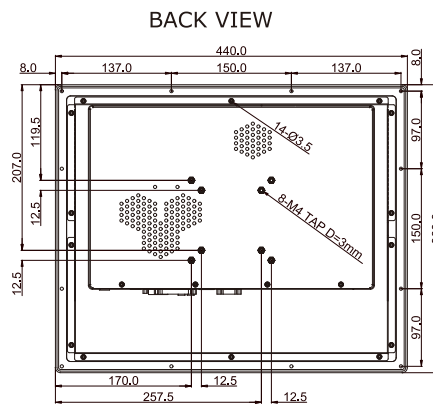
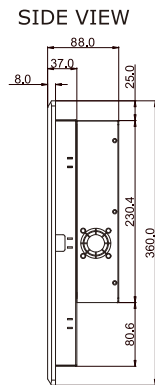
1. Brightness Adjustment Knob
2. Power On Button
3. Power Reset Button
4. RS-232 Conn.(Optional)
5. Audio Jack
6. DVI (Optional)
7. USB
8. RJ-45
9. VGA Out
10. RS-232 Conn.
11. PS/2
12. 12V DC-IN

**Fully Integrated I/O**

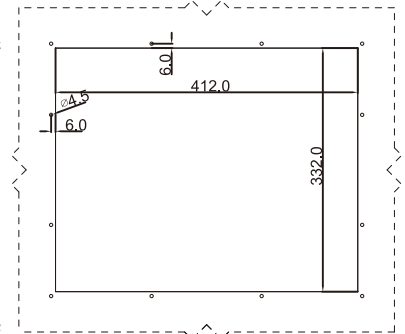
## Dimensions



**BOTTOM VIEW**



## IP65 CUT OUT



- \* Measurements shown in mm
- \* Tolerance of all dimensions is shown as follow 0~30 mm ± 0.1 mm, 30~50 mm ± 0.15 mm, 50~120 mm ± 0.2 mm, above 120 mm ± 0.25 mm
- \* Note: this is a simplified drawing and some components are not marked in detail. Please contact our sales representative if you need further product information.

## Specifications

### System

- CPU : Intel® 3rd Generation Core™ i7/i5/i3
- Memory : 2 x SO-DIMM, Max 16GB DDR3L 1333/1600
- System Chipset : Intel® HM76 Chipset
- Storage : 1 x SATAIII, 1 x SATAII, 1 x mSATA
- LAN : Dual Broadcom BCM57780 GbE
- Audio Codec : Realtek ALC886 HD Audio Codec

### Panel Spec

- Size/Type : 17" TFT
- Resolutions : 1280 x 1024
- Brightness : 350 cd/m<sup>2</sup> (typ.)
- Contrast Ratio : 1000 : 1(typ.)
- Viewing Angles : -85~85(H);-80~80(V)
- Max Colors : 16.7M (6bits+FRC)

### Input / Output

- Serial Ports : 2 x RS232, 1 x RS232/422/485
  - USB Ports : 4 x USB 3.0
  - Keyboard / Mouse : 2 x PS/2
  - Ethernet : 2 x RJ 45-10/100/1000 Mbps
  - VGA : 1 x VGA (female)
  - Audio : Line-Out, Line-In, Mic in
- Default setting:RS232

### Environment Considerations

- Operating Temperature : 0 deg.C to 50 deg.C
- Operating Humidity : 30% to 90% (non condensing)

### OS BSP / Driver Support

- Support Windows 10 IoT Enterprise / WindowsXP Embedded / Windows7 Embedded / Windows8 Embedded

### Expansion Slot

- 1 x PCI-E(x16), 2 x Mini PCI-E

### Power Specifications

- Power Input : 12V DC IN
- Power Consumption : 95W(typ.)(Max.backlight & high CPU load)

### Accessories

- External Adapter : 110~240V Ac-in power adapter

### Order Options

Mechanical : Open Frame	Storage : <b>2.5" HDD/mSATA SSD</b>
Panel Mount(8 mm bezel)	RAM : SO-DIMM DDR3L 1600
IP65(8 mm bezel)	OS : Windows 10 IoT Enterprise
Touch : 5 Wires Resistive(Optional)	Windows XP Embedded
	Windows 7 Embedded
	Windows 8 Embedded
(A customized housing is needed if you have demands of SAW/IR/SC/IT touch)	DVD : Yes(Optional)

