

8" Rugged Tablet PC

M800BW

Product Features:

- High Performance Intel Braswell platform (N3710 2M Cache, up to 2.56GHz)
- Multi-Touch Projective Capacitive, with optical bonding (brightness increased)
- Fan-Less & Robust Design
- Designed with protection cover for better protection in rugged environments
- Default with 4GB RAM/ 64GB SSD / GPS, WLAN, Bluetooth
- Optional for
 - LTE Module
 - VESA Fix Plate
 - 1D/ 2D Barcode Reader, Fingerprint Scanner, RFID Reader, Smart Card Reader



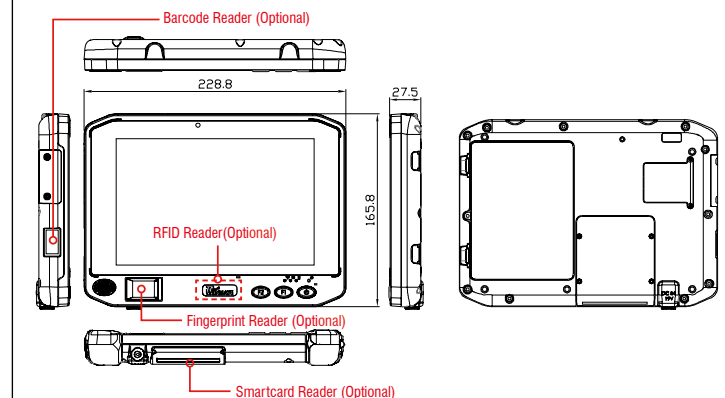
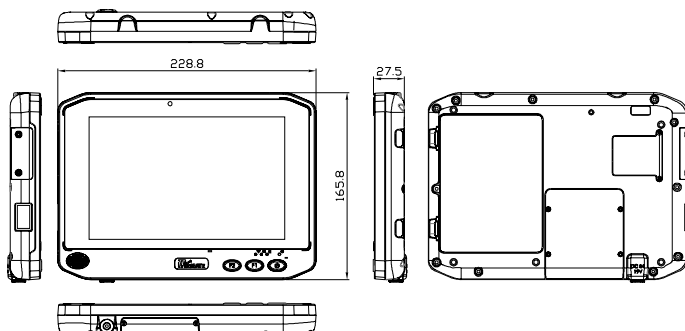
Product Specifications:

System Specification	Processor	Intel® Pentium® Processor N3710 1.6GHZ CPU, 2M Cache, up to 2.56GHZ
	System Memory	4GB SODIMM DDR3L-1600 (up to 8GB)
	Storage	1 x 64GB M.2 MLC SSD (up to 512GB)
	Operating System	Windows 10 IoT Enterprise Windows Embedded 8.1 Industry Pro
Display Specification	Size / Technology	8.0-inch
	Resolution	1280 x 800
	Brightness	600 nits
	Touch	Multi-touch Projected Capacitive with Glove / Rain/Stylus Modes (Support Active Stylus)
	Contrast Ratio	800:1
Wireless Communication	Viewing Angle	85/85/85/85
	WLAN+Bluetooth	Intel® 802.11 a/b/g/n/ac + Bluetooth 4.0 Dual Mode (Class 1 + Low Energy) Combo module
System I/O Buttons Indicators Sensors Security	GPS	u-Blox NEO-M8N (Optional for Glonass)
	Audio	2 x Built-in Digital Mic, 1 x Speaker
	Default I/O	2 x USB 3.0, 1 x Micro HDMI
	Service window	For WWAN Module Micro SD, Micro SIM: Located in battery compartment
	Buttons	1 x Power, 2 x Programmable Function Keys
	LED Indicators	4 x LED indicators (Power, Battery status, SSD status, RF status)
	Sensors	Light sensor / G sensor / Gyro / E-compass
Camera	Front	2MP
	Rear	8MP
Mechanical and Environment	Dimension (W x L x H)	228.8 x 165.8 x 34 mm (w/o Protection Cover) 241.1 x 169.9 x 40 mm (w/ Protection Cover)
	Housing	Plastic housing with fanless design
	Weight	1.1 Kg
	Operating Temperature	-20°C to 60°C ac mode, -10°C to 50°C battery mode
	Storage Temperature	-30°C to 60°C
	Humidity	10% to 95% RH, non-condensing
	IP Proof	IP65
	Shock	MIL-STD-810G Method 516.6 Procedure I
	Vibration	MIL-STD-810G Method 514.6 Procedure I
	Drop	MIL-STD-810G Method 516.6, 4 ft to concrete
	Certifications	CE, FCC
Power Management	Power Input with IP65	12 to 19V DC input
	Battery	7.6V typ. 5200mAh Li-ion Battery (2S2P)
	Battery Operating Time	7.5 Hours
Optional module	WWAN	4G (LTE, HSPA+, GSM/GPRS/EDGE, EV-DO Rev A, 1 x RTT) 3G (HSPA+, GSM / GPRS / EDGE)
	Data Capture	Fingerprint Scanner, RFID Reader, 1D/ 2D Barcode Reader, Smart Card Reader

Dimensions :

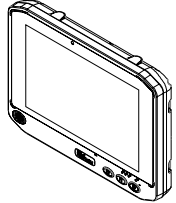


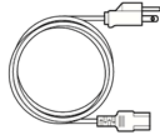
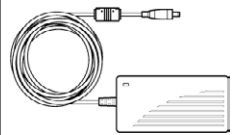
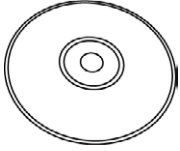
Default configuration

Optional configuration

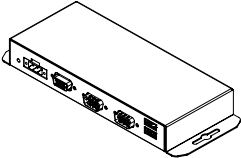


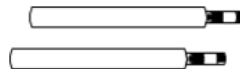
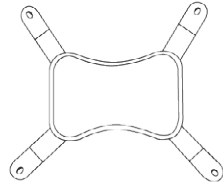


Package Contents

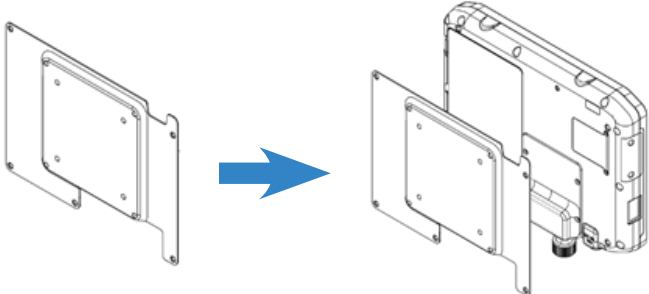
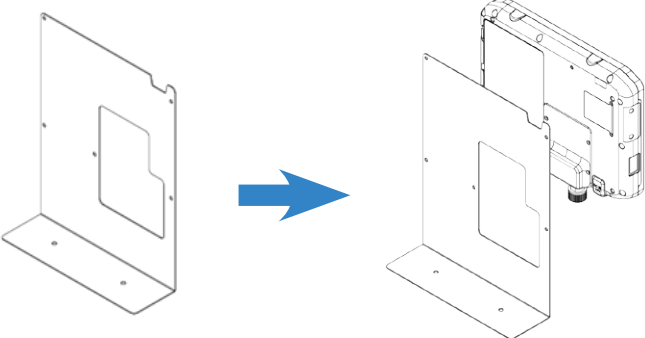
Before using this 8" Rugged Tablet Computer, please make sure that all the items listed below are present in your package:

					
Computer M800BW	Standard Battery	Stylus	Power Cord and Plugs	Power adapter	Driver CD

Optional Accessories

				
Expansion Box for M800BW-M12	Type 1 Cable: M12 to D-Sub Male Cable	Type 2 Cable: M12 to USB-A-F & DC Jack	External Antenna	Hand Strap

Optional Mounting Solution

	
VESA Plate	Dash-Mount Plate