

SP-7629



3rd Gen. Intel® Core™ i5/i3/Pentium® processor high performance 19" panel PC

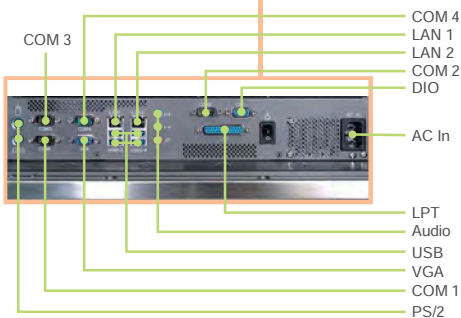


Features

- LGA1155 3rd Gen. Intel® Core™ i5/i3/Pentium® processor
- Equipped with Intel® Q77 chipset
- Memory support two DDR3 DIMM sockets 1333/1600 up to 16 GB
- 2 x GbE LANs
- 4 x USB 3.0
- SATA RAID 0, 1
- Front panel IP65 design
- Stainless steel front bezel
- 2 x PCI slots for riser card(optional)



I/O Panel View



Specifications

System

CPU Type	3rd Gen. Intel® Core™ i5/i3/Pentium® processor
Chipset	Intel® PCH Q77
Memory Support	2x 240 pins DDR3 DIMM up to 16 GB
Front Bezel	Stainless steel (SUS 304)
IP65	Yes (for front panel only)
Watchdog	1~255 seconds watchdog timer selectable
Power Supply	ATX 220W power supply
Operating System	Microsoft Windows XP, Win7, Win8, Win8.1
Dimension (W x H x D)	497 x 420 x 93.4 mm
System Weight	10.6 Kg
VESA Mounting Support	75 mm / 100 mm VESA bracket (optional)
Certificate	FCC / CE

I/O Ports

Display	1 x VGA
USB	4 x USB 3.0
Audio	1 x Line-in / Line-out / MIC
LAN	2 x GbE LANs LAN 1: Intel® 82579V (82579LM) LAN 2: Intel® 82583V
Serial Port	4 x COM ports COM 1/3/4 for RS-232, COM 2 for RS-232 / 422 / 485, (COM 3/4 support +5V / +12V selectable)
Parallel Port	1 x parallel port (SPP / EPP / ECP)
Digital I/O	4 in / 4 out
Keyboard / Mouse	2 x PS/2 ports
Drive Bay	2 x 2.5" SATA HDDs, 1 x slim DVD-ROM (optional)
Expansion Slots	1 x mini-PCIe slot (on board) 2 x PCI slots (optional)

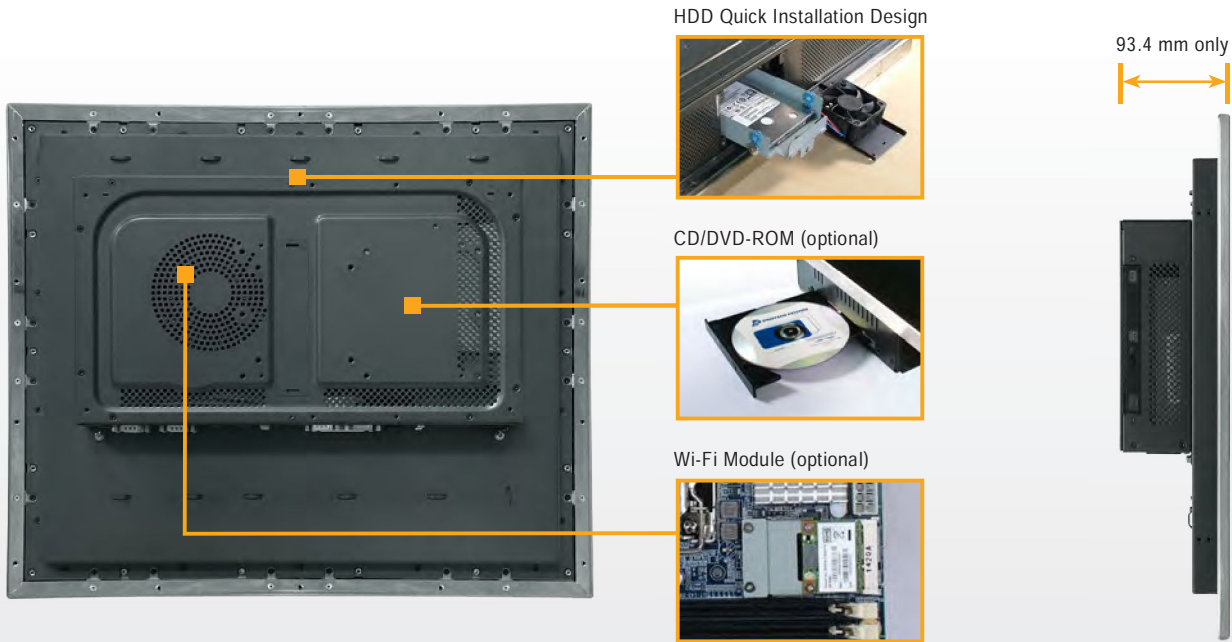
Display

LCD	19" LED backlight 300 nit LCD, resolution 1280 x 1024
Touch Screen	(ELO) 5W analog resistive (USB interface)

Environment

Operating Temperature (with airflow)	HDD: 0° ~ 50°C (32° ~ 122° F)
Storage Temperature	- 20° ~ 60°C (- 4° ~ 140° F)
Humidity	20% ~ 90%

*All information contained in this document is subject to change without prior notice. Please log on www.protech.com.tw to acquire latest information.



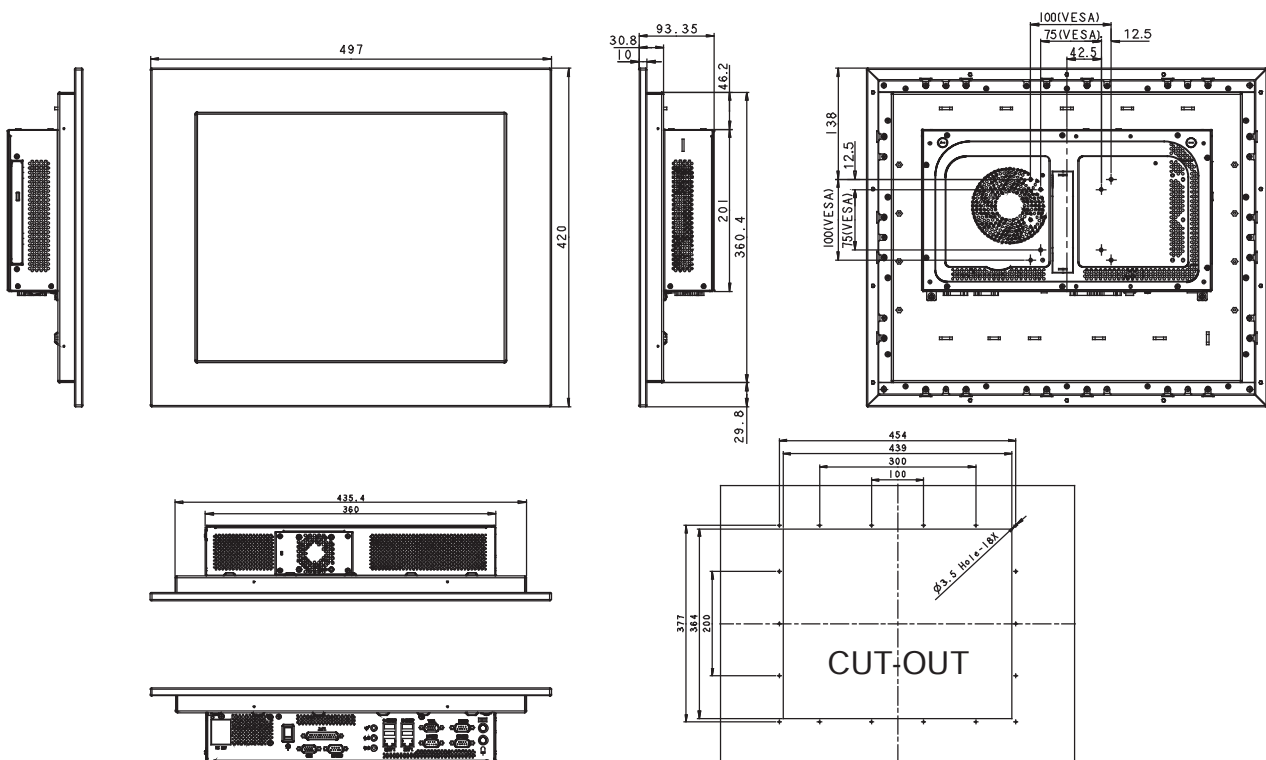
Ordering Information

Order No	Description
SP-7629RA-E0B	HSF, Intel® socket H2 (LGA1155)+ Q77 panel PC, w/19" panel 1280*1024 / 5-wire ELO touch + quick HDD drive bay
SP-7629RA-F0B	HSF, Intel® socket H2 (LGA1155)+ Q77 panel PC, w/19" panel 1280*1024 / tempered glass + quick HDD drive bay

Ordering Accessories

Order No	Description
SP-7615RZ-CR0	HSF, only slim DVD-ROM bracket kit for SP-76xx and SP-79xx series
SP-7615RZ-DR2	HSF, slim DVD-ROM and bracket kits for SP-76xx and SP-79xx series
SP-7615RZ-RC1	HSF, 2 PCI slot riser card and bracket kits (w/o package) for SP-76xx and SP-79xx series
SP-7615RZ-RC2	HSF, 2 PCI slot riser card and bracket kits (w/ package) for SP-76xx and SP-79xx series
SP-7615RZ-VM0	HSF, VESA bracket kit (w/ package) for SP-76xx and SP-79xx series
SP-7615RZ-VM1	HSF, 2 PCI slot riser card and VESA bracket kit (w/ package) for SP-76xx and SP-79xx series
SE-8210RZ-WL4	Wi-Fi kit (0°C ~70°C)
SE-8210RZ-WL3	Wi-Fi + BT4.0 kit (0°C ~70°C)
52-901-01002210	Wall mount kit (VESA 75/100)

Dimensions



Unit: mm