

SP-6128



Intel® Atom™ processor D2550 fanless and low power 8.4" panel PC

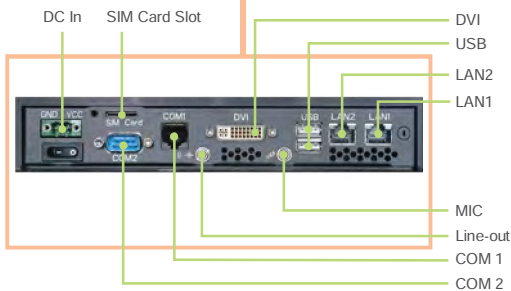


Features

- Intel® Atom™ processor D2550 on board
- Supports Intel® NM10
- Fanless and quiet design
- 1 x CFast slot
- Optional wireless LAN module
- Supports wide range voltage DC in (9~36V)
- Aluminum front bezel



I/O Panel View



Bird View



Specifications

System

CPU Type	Intel® Atom™ processor D2550
Chipset	Intel® NM10
Memory Support	1 x DDR3 SO-DIMM socket (memory up to 4GB)
Front Bezel	Aluminum
IP65	Yes (for front panel only)
Drive Bay	1 x 2.5" SATA HDD
Expansion Slots	1 x CFast slot, 1 x mini-PCIe slot
Power	DC in 9~36V
Operating System	Win7(32-bit)
Dimension (W x H x D)	246.8 x 184.6 x 71 mm
System Weight	2.9 Kg
VESA Mounting Support	VESA 75
Certificate	FCC / CE

I/O Ports

Display	1 x DVI-I
USB	2 x USB 2.0
Audio	1 x Line-out, 1 x MIC
LAN	2 x LANs (10/100/1000 Mbps)
Serial Port	2 x COM ports (support +5V/ +12V/RI selectable), COM 2 for RS-232/422/485 selectable

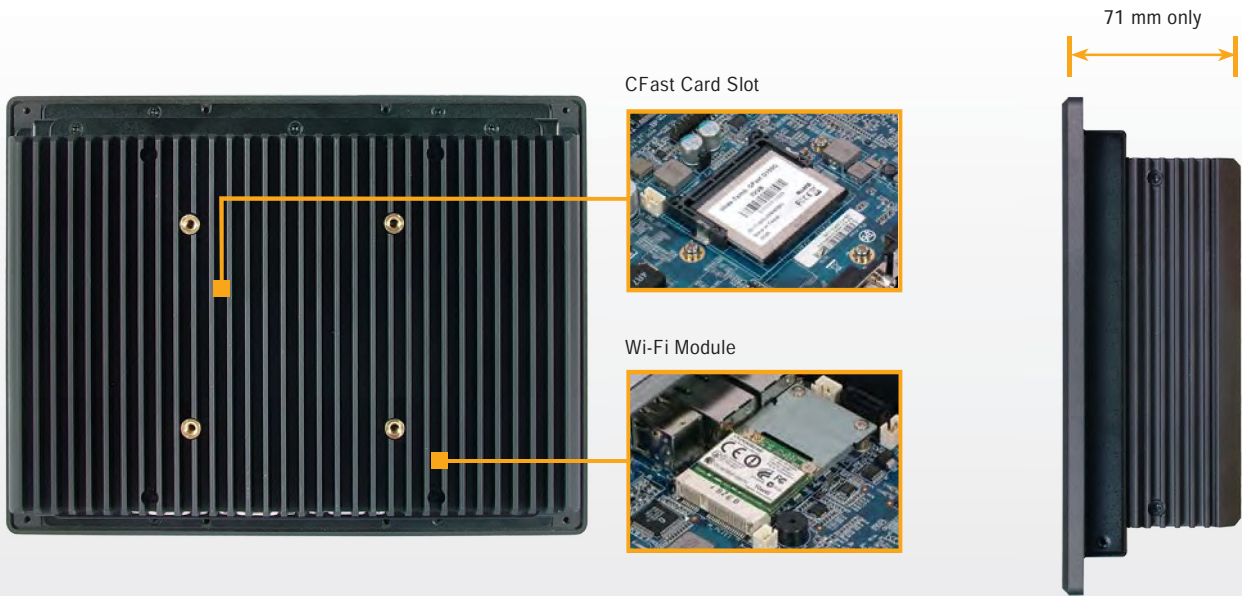
Display

LCD	8.4" LED backlight LCD, resolution 800 x 600
Touch Screen	(ELO) 5W analog resistive (USB interface)

Environment

Operating Temp. (with airflow)	0° ~ 45° C (32° ~ 113° F) (w/HDD) 0° ~ 55° C (32° ~ 131° F) (w/wide temperature CFast card)(w/o audio)
Storage Temp.	- 20° ~ 60°C (- 4° ~ 140°F)
Humidity	20% ~ 90%

*All information contained in this document is subject to change without prior notice. Please log on www.protech.com.tw to acquire latest information.



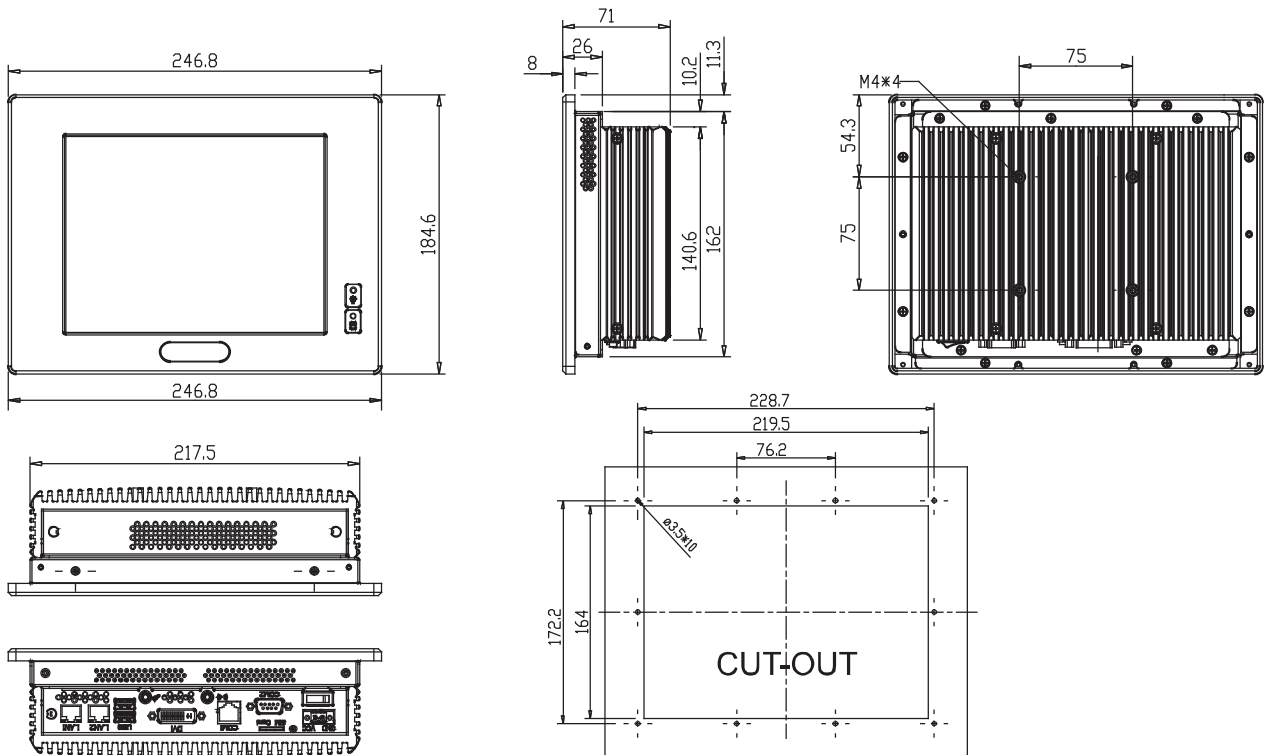
Ordering Information

Order No	Description
SP-6128RB-B0B	8.4" fanless Intel® Atom™ D2550 panel PC, w/ 8.4" 800 x 600 LCD / 5-wire ELO touch

Ordering Accessories

Order No	Description
SE-8124RZ-WL3	Wi-Fi kit (0°C -70°C)
52-901-01002213	Wall mount kit
52-002-11072302	72W DC 24V power adaptor(DIN-4P)(w/lock)

Dimensions



Unit: mm