

SP-6309



Intel® Atom™ processor N2800/D2550 fanless and low power 19" panel PC

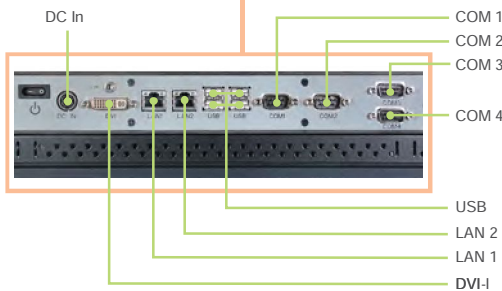


Features

- Intel® Atom™ processor N2800/D2550 on board
- Fanless and quiet design
- 1 x CFAST slot
- Optional wireless LAN module
- Supports wide range voltage DC in (9~36V)
- Aluminum front bezel



I/O Panel View



Bird View



Specifications

System

CPU Type	Intel® Atom™ processor N2800/D2550
Chipset	Intel® NM10
Memory Support	1x DDR3 SO-DIMM socket up to 1067 MHz, up to 4GB
Front Bezel	Aluminum
IP65	Yes (for front panel only)
Power requirement	DC in 9~36V
Operating System	Windows7 (32bit)
Dimension (W x H x D)	471 x 396 x 79.8 mm
System Weight	8.21 Kg
VESA Mounting Support	VESA 75/100
Certificate	FCC / CE

I/O Ports

Display	1 x DVI-I
USB	4 x USB 2.0
Audio	1 x Line-out
LAN	2 x LANs (10/100/1000 Mbps)
Serial Port	4 x COM ports, (COM 1/2/3 with 5V/12V) COM 1/4 for RS-232 COM 2/3 for RS-232/422/485
Drive Bay	1 x 2.5" SATAII HDD
Expansion Slots	1 x CFAST slot, 1 x mini PCIe slot

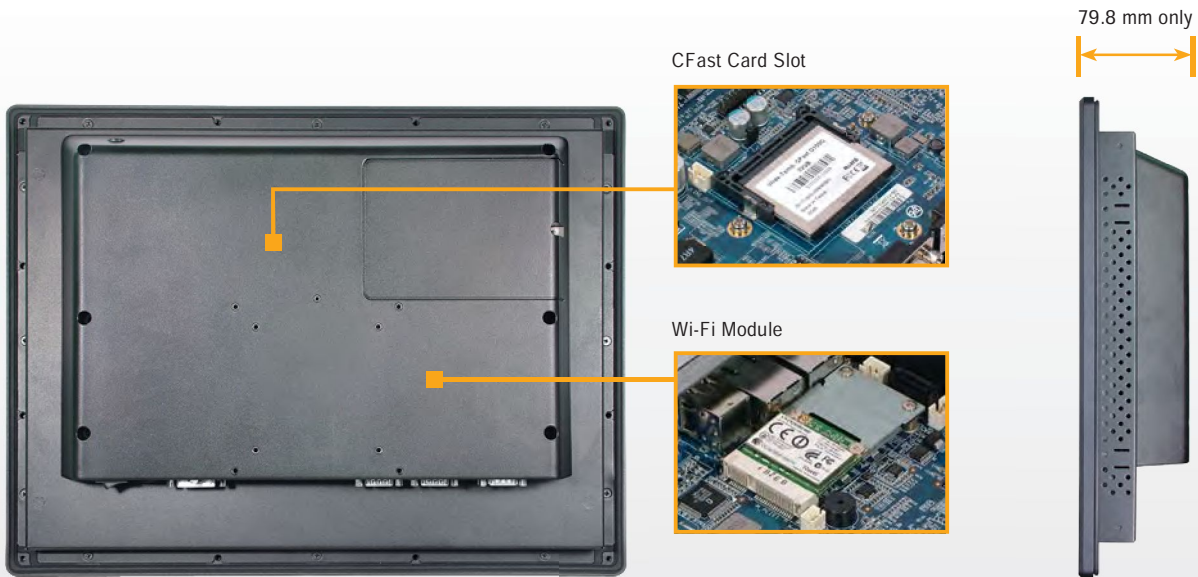
Display

LCD	19" 1280 x 1024 SXGA 300nit LED backlight LCD
Touch Screen	ELO 5-wire resistive type (USB interface)

Environment

Operating Temp. (with airflow)	0 ~ 45°C (32° ~ 113° F) (w/HDD) 0 ~ 55°C (32° ~ 131° F) (w/CFAST card)
Storage Temp.	- 20° ~ 60°C (- 4° ~ 140°F)
Humidity	20% ~ 90%

*All information contained in this document is subject to change without prior notice. Please log on www.protech.com.tw to acquire latest information.



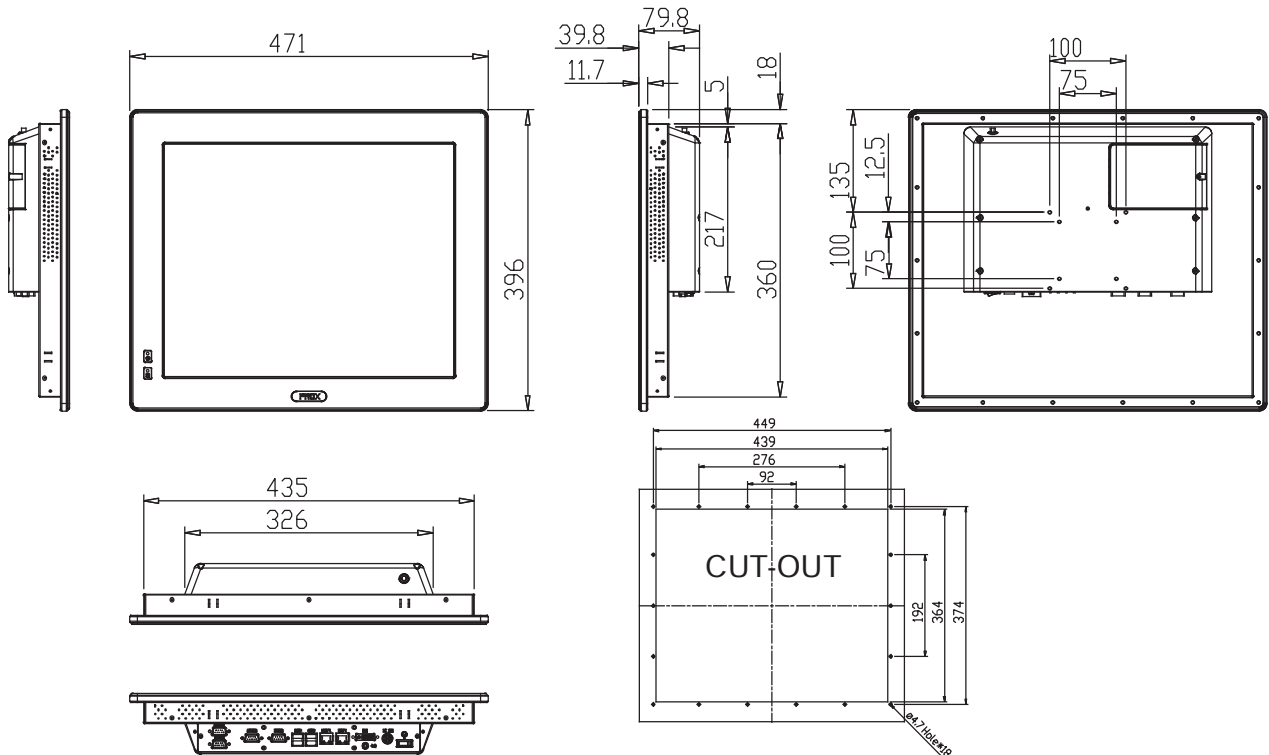
Ordering Information

Order No	Description
SP-6309RA-A0B	19" fanless Intel® Atom™ N2800 panel PC, with 19" 1280 x 1024 LCD / 5-wire ELO touch
SP-6309RA-B0B	19" fanless Intel® Atom™ D2550 panel PC, with 19" 1280 x 1024 LCD / 5-wire ELO touch

Ordering Accessories

Order No	Description
52-002-02012001	120W DC 24V power adaptor(DIN-4P)(w/lock)
SE-8210RZ-WL4	Wi-Fi kit (0°C -70°C)
SE-8210RZ-WL3	Wi-Fi + BT4.0 kit (0°C -70°C)
52-901-01002210	Wall mount kit (VESA 75/100)
52-901-01002213	Wall mounting VESA bracket
PA-6053RZ-A1B	Stand
52-901-00002110	LCD arm

Dimensions



Unit: mm