

SP-6207



3rd Gen. Intel® Core™ mobile fanless and high performance 17" panel PC

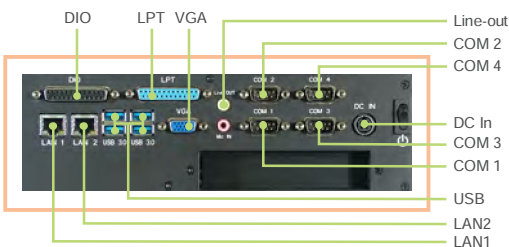
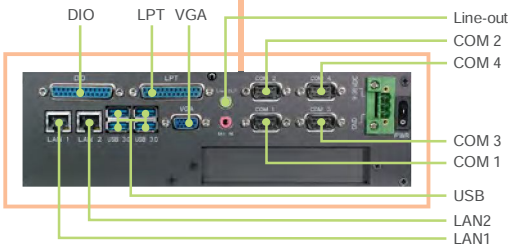
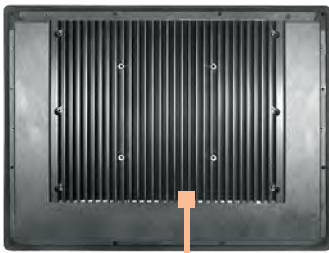


Features

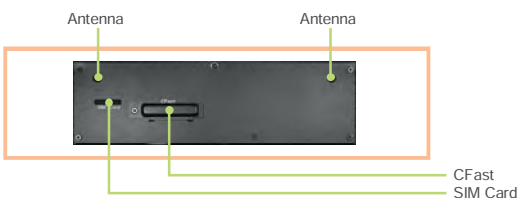
- 3rd Gen. Intel® Core™ mobile i3/i5/i7 (rPGA-988) processor
- 1 x CFast slot for external storage or system boot up
- Riser card support 1 x PCIe (x4) or 1 x PCI slot
- Fanless and quiet design
- 4 x USB 3.0
- Front panel IP65 design
- Aluminum front bezel
- Supports wide range voltage DC in (9~36V)
- OS support: Windows XP, Win7, Win8, Win8.1
- Optional 802.11b/g/n Wi-Fi module



I/O Panel View



Bird View



Specifications

System

CPU Support	3rd Gen. Intel® Core™ mobile i3 / i5 / i7 (rPGA-988) processor
Chipset	Intel® QM77 / HM76
Memory Support	2 x 204 Pin DDR3 SO-DIMM, support DDR3/DDR3L 1600/1333/1066 maximum up to 16GB/slot
Watchdog	1~255 seconds watchdog timer
Drive Bay	2 x 2.5" SATA HDDs
Audio	High definition audio; 1 x Line-out / 1 x MIC
Power	DC in 9~36V
Front Bezel	Aluminum
IP65	Yes (front panel only)
Expansion Slot	1 x full size mini-PCIe (for WLAN module and 3G module) 1 x SIM card slot 1 x CFast slot 1 x PCIe (x4) or 1x PCI -- (10W max./slot)(option)
System Weight	9 Kg
Operating System	Microsoft Windows XP, Win7, Win8, Win8.1
Dimension (W x H x D)	448 x 352 x 136 mm
VESA Mounting Support	VESA 100
Certificate	FCC / CE

I/O Ports

Display	1 x VGA
USB	4 x USB3.0
Audio	1 x Line-out, 1 x MIC
LAN	LAN1 : Intel® 82579LM 10/100/1000 LAN LAN2 : Intel® 82583V 10/100/1000 LAN Support Wake -on-LAN
Serial Port	4 ports support COM1/3/4 for RS-232 COM2 for RS-232/422/485, pin-9 5V/12V/RI selectable
Parallel port	1 x DSUB-25
Digital I/O	DSUB-25, 8 in / 8 out
Power	DC in 9~36V (DIN type 4p connector or 3-pin terminal block)
Expansion Slot	1 x PCIe (x4) or 1x PCI -- (10W max./slot)(option)

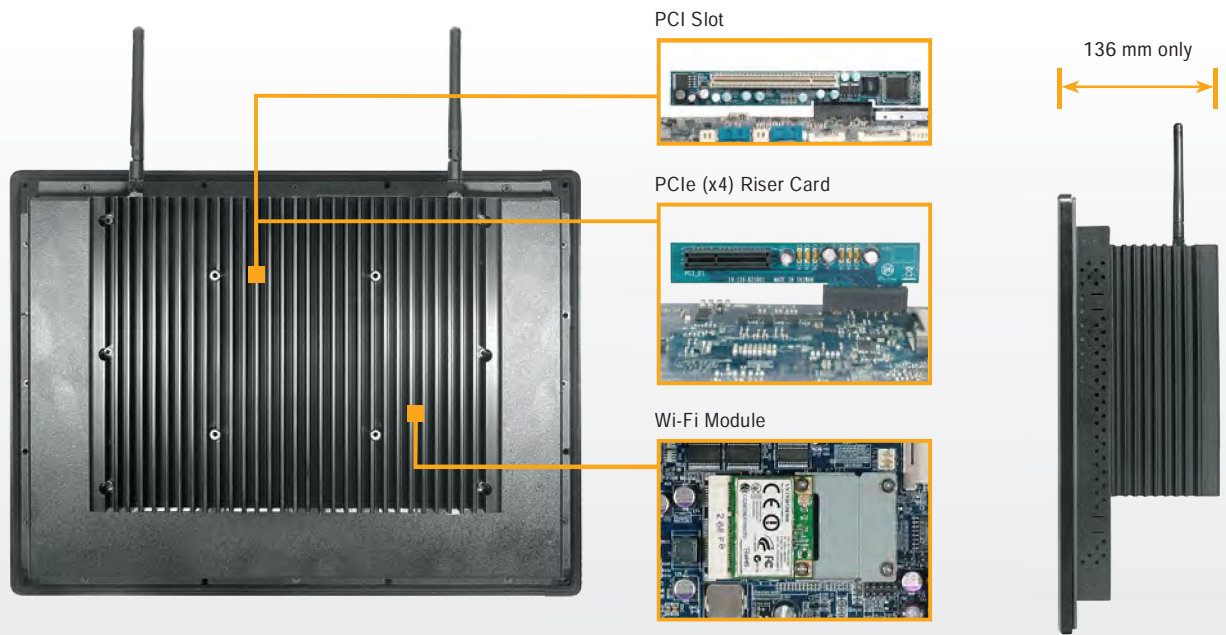
Display

LCD	17" 1280 x 1024 SXGA 350nit LED backlight LCD
Touch Screen	(ELO) 5W analog resistive (USB interface)

Environment

Operating Temp. (with airflow)	0°C ~ 45°C (32° ~ 113°F) (w/HDD) Wide range temp. CFast: 0°C ~ 55°C (32° ~ 131° F) (w/o audio)
Storage Temp.	20° ~ 60°C (- 4° ~ 140°F)
Humidity	10% ~ 90%

* All information contained in this document is subject to change without prior notice. Please log on www.protech.com.tw to acquire latest information. For detail mechanics drawing, please contact our sales.



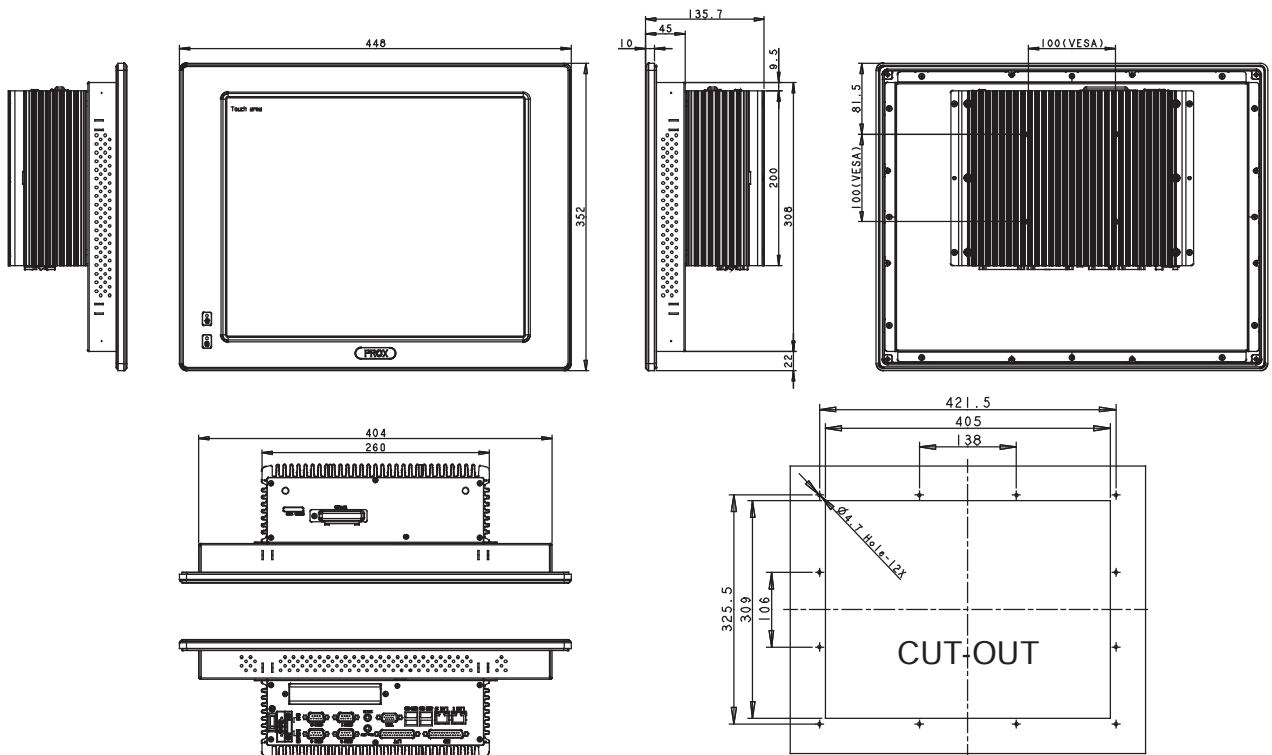
Ordering Information

Order No	Description
SP-6207RA-A0B	Intel® QM77 barebone 17" panel PC, with 17" LCD / 5 wire ELO touch, DIN type 4P DC power input
SP-6207RA-B0B	Intel® QM77 barebone 17" panel PC, with 17" LCD / 5 wire ELO touch, 3-pin terminal block DC power input
SP-6207RA-C0B	Intel® HM76 barebone 17" panel PC, with 17" LCD / 5 wire ELO touch, DIN type 4P DC power input
SP-6207RA-D0B	Intel® HM76 barebone 17" panel PC, with 17" LCD / 5 wire ELO touch, 3-pin terminal block DC power input

Ordering Accessories

Order No	Description
52-002-02012001	120W DC 24V power adaptor(DIN-4P)(w/lock)
SR-8210RA-R1N	1 x PCIe (x4) slot to 1 x PCIe (x4) riser card
SR-8210RA-R2N	1 x PCIe (x4) slot to 1 x PCI riser card
SE-8210RZ-WL4	Wi-Fi kit (0°C ~70°C)
SE-8210RZ-WL3	Wi-Fi + BT4.0 kit (0°C ~70°C)
SE-8210RZ-OT0	HSF,SE-8210 embedded PC I/O dust cover kit
27-006-00006114	2 x USB 2.0 cable (with bracket)
52-901-00002110	LCD arm
52-901-01002210	Wall mount kit (VESA 75/100)

Dimensions



Unit: mm