

SP-6140



10.4" Intel® E3845/E3826/J1900 processor fanless and low power panel PC

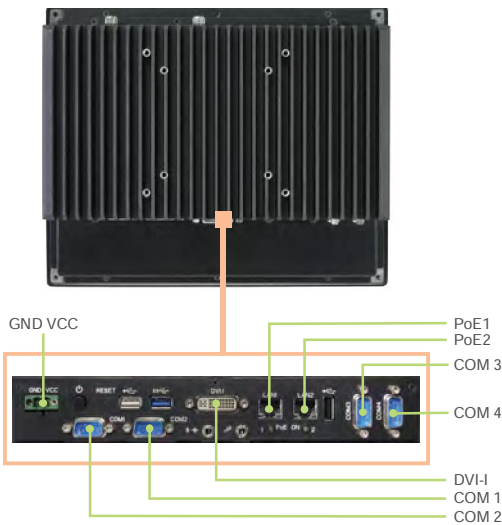


Features

- Intel® E3845/E3826/J1900 processor on board
- Fanless and quiet design
- 2 x GbE LANs, with PoE as option
- CFast slot
- 1 x external SD card and 1 x SIM slot
- Optional 3G module
- Optional wireless LAN module
- Supports wide range voltage DC in (9~36V)
- Supports wide range temperature (E3845/E3826 only)
- Aluminum front bezel



I/O Panel View



Bird View



Specifications

System

CPU Type	Intel® E3845/E3826/J1900 processor
Chipset	Intel® SoC
Memory Support	1 x DDR3L SO-DIMM socket, memory up to 8GB
Front Bezel	Aluminum
IP65	Yes (for front panel only)
Power Input	DC in 9~36V
Watchdog	1~255 seconds watchdog timer selectable
Operating System	Win7/ Win8.1/ WES7/ WES 8.1 Industry Pro
Dimension (W x H x D)	277.6 x 228.8 x 77 mm
System Weight	3.5 Kg
Mounting Support	Wall mount/ VESA 75/ VESA 100
Certificate	FCC / CE

I/O Ports

Power Input	1 x 2 pin DC in terminal block, supporting 9-36V DC
Power On/Off	1 x Power ON/OFF button
USB	2 x USB 2.0 + 1 x USB 3.0
Audio	1 x Line-out, 1 x MIC
Serial Port	4 x COM ports, (COM 1/2 with RI/5V/12V by jumper setting) COM 1/2 for RS-232/422/485 (setting by BIOS) COM 3/4 for RS-232
LAN	2 x GbE LANs with PoE as option, wake-on-LAN, PXE LAN 1: Intel® I210IT LAN 2: Intel® I210IT 2 x PoE (IEEE 802.3af), max.15.4W for each port
Display	1 x DVI-I
Drive Bay	1 x 2.5" SATA HDD
Expansion Slots	1 x CFast slot, 1 x full size mini-PCIe slot (mini-PCIe, USB and SIM signal) 1 x half size mini-PCIe slot (mini-PCIe and USB signal)
SD Card Slot	1 x external SD card slot with cover
SIM Card Slot	1 x external SIM card slot with cover (for optional 3G module)

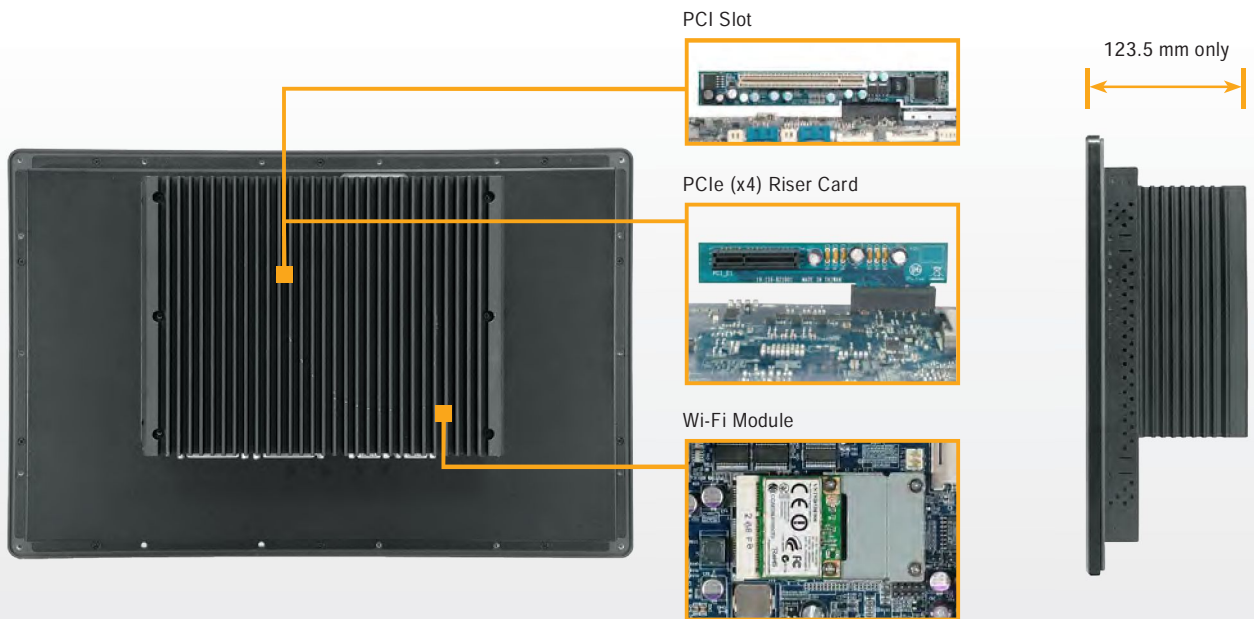
Display

LCD	10.4" XGA (resolution 1024x768) LCD panel
Touch Screen	5-wire resistive type (USB interface)

Environment

HDD	0°C ~ 40° C (32°F ~ 104° F)
Operating Temperature (with airflow)	Wide range temp. storage and peripherals: -20°C ~ 55° C (-4°F ~ 131° F) w/o audio and PoE, E3845/E3826 only Wide range temp. storage and peripherals: -20°C ~ 50° C (-4°F ~ 122° F) with PoE, w/o audio, E3845/E3826 only
Storage Temperature	-30°C ~ 60°C (-22°F~140°F)
Humidity	20% ~ 90%

*All information contained in this document is subject to change without prior notice. Please log on www.protech.com.tw to acquire latest information.



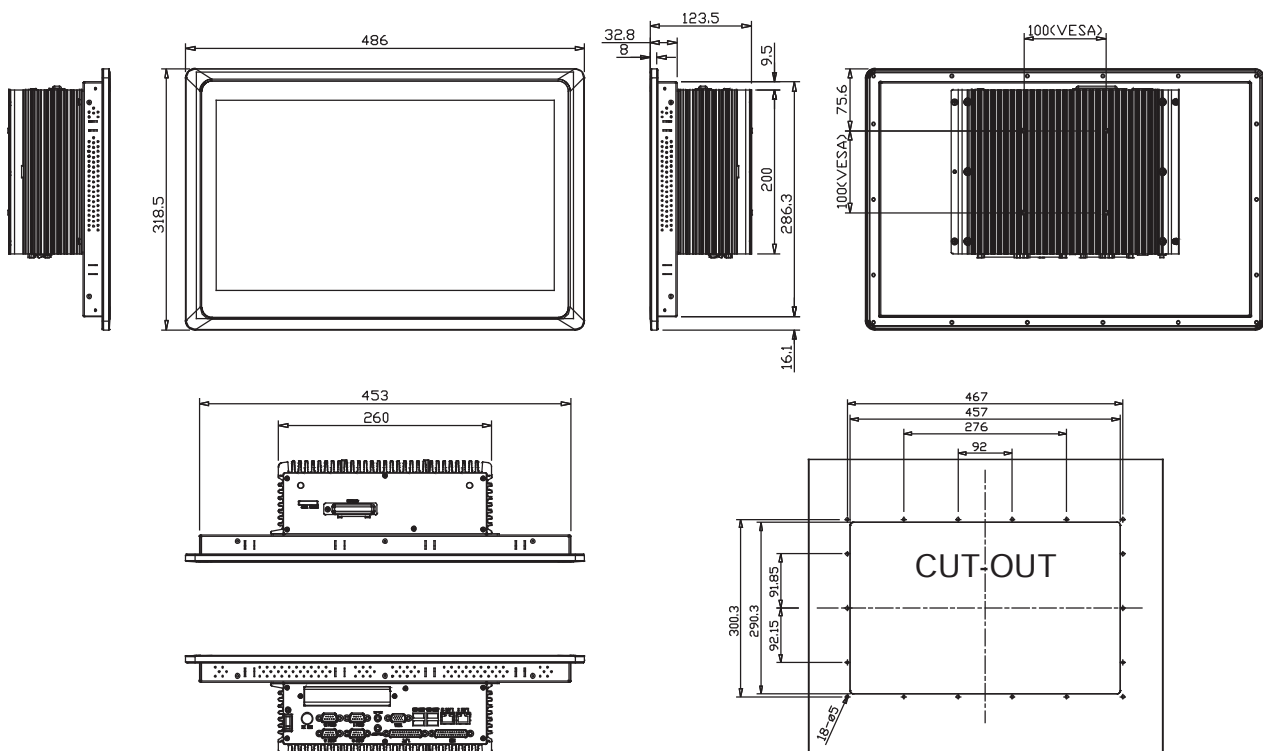
Ordering Information

Order No	Description
SP-6208RA-A0B	Intel® QM77 barebone 18.5" panel PC, with 18.5" LCD /bezel free projected capacitive touch, DIN type 4P DC power input
SP-6208RA-C0B	Intel® HM76 barebone 18.5" panel PC, with 18.5" LCD /bezel free projected capacitive touch, DIN type 4P DC power input

Ordering Accessories

Order No	Description
52-002-02012001	120W DC power adapter(DIN-4P)(w/lock)
SR-8210RA-R1N	1 x PCIe (x4) slot to 1 x PCIe (x4) riser card
SR-8210RA-R2N	1 x PCIe (x4) slot to 1 x PCI riser card
SE-8210RZ-WL4	Wi-Fi kit (0°C ~70°C)
SE-8210RZ-WL3	Wi-Fi + BT4.0 kit (0°C ~70°C)
SE-8210RZ-OT0	HSF,SE-8210 embedded PC I/O dust cover kit
27-006-00006114	2 x USB 2.0 cable(with bracket)
52-901-00002110	LCD arm
52-901-01002210	Wall mount kit (VESA 75/100)

Dimensions



Unit: mm