

SP-6145



15" Intel® E3845/E3826/J1900 processor fanless and low power panel PC

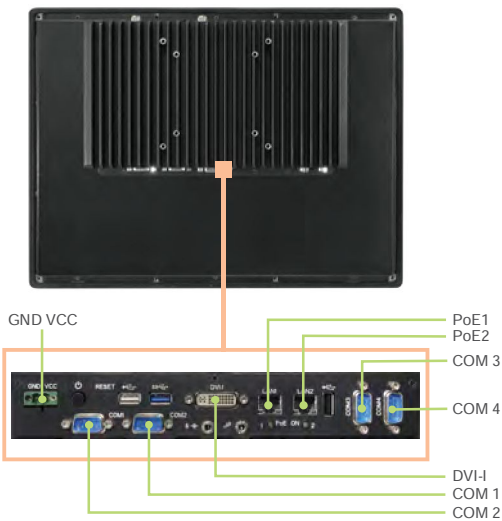


Features

- Intel® E3845/E3826/J1900 processor on board
- Fanless and quiet design
- 2 x GbE LANs, with PoE as option
- CFast slot
- 1 x external SD card and 1 x SIM slot
- Optional 3G module
- Optional wireless LAN module
- Supports wide range voltage DC in (9~36V)
- Supports wide range temperature (E3845/E3826 only)
- Aluminum front bezel



I/O Panel View



Bird View



Specifications

System

CPU Type	Intel® E3845/E3826/J1900 processor
Chipset	Intel® SoC
Memory Support	1 x DDR3L SO-DIMM socket, memory up to 8GB
Front Bezel	Aluminum
IP65	Yes (for front panel only)
Power Input	DC in 9~36V
Watchdog	1~255 second Watchdog timer selectable
Operating System	Win7/ Win8.1/ WES7/ WES 8.1 Industry Pro
Dimension (W x H x D)	408 x 308 x 70 mm
System Weight	5.4 Kg
Mounting Support	Wall mount/ VESA 75/ VESA 100
Certificate	FCC / CE

I/O Ports

Power Input	1 x 2 pin DC in terminal block, supporting 9-36V DC
Power On/Off	1 x power on/off button
USB	2 x USB 2.0 + 1 x USB 3.0
Audio	1 x Line-out, 1 x MIC
Serial Port	4x COM ports, (COM 1/2 with RI/5V/12V by jumper setting) COM 1/2 for RS-232/422/485 (setting by BIOS) COM 3/4 for RS-232
LAN with PoE	2 x GbE LANs with PoE as option, wake-on-LAN, PXE LAN 1: Intel® I210IT LAN 2: Intel® I210IT 2 x PoE (IEEE 802.3af), Max. 15.4W for each port
Display	1 x DVI-I
Drive Bay	1 x 2.5" SATA HDD
Expansion Slots	1 x CFast slot, 1 x full size mini-PCIe slot (mini-PCIe, USB and SIM signal) 1 x half size mini-PCIe slot (mini-PCIe and USB signal)
SD Card Slot	1 x external SD card slot with cover
SIM Card Slot	1 x external SIM card slot with cover (for optional 3G module)

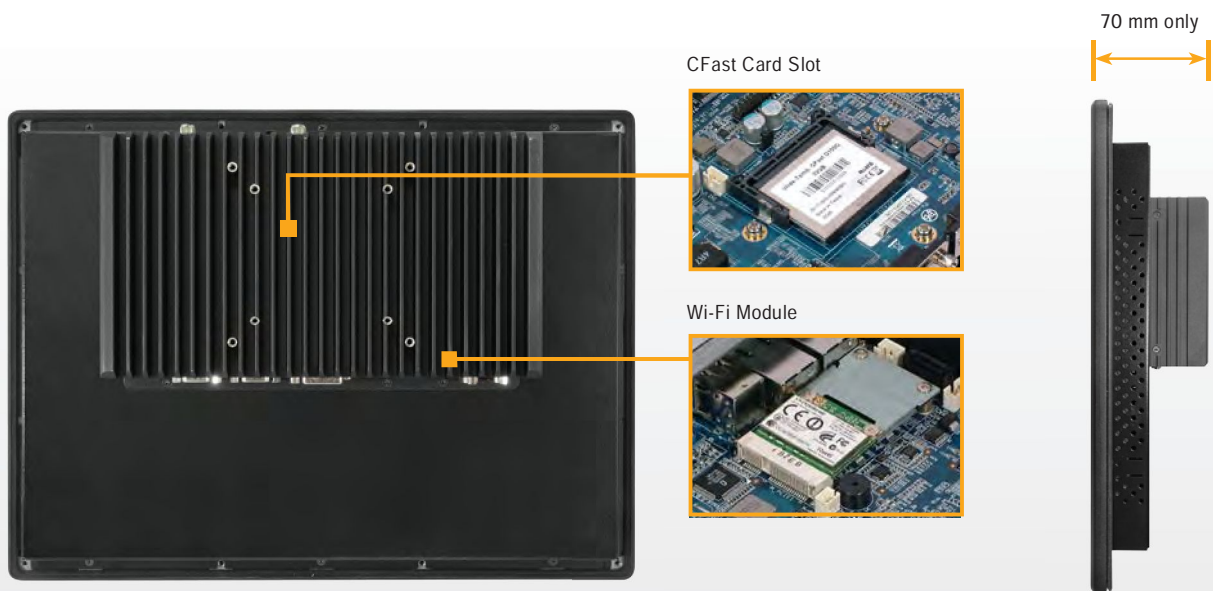
Display

LCD	15" XGA (resolution 1024x768) LCD panel
Touch Screen	5-wire resistive type (USB interface)

Environment

Operating Temperature (with airflow)	HDD: 0°C ~ 40° C (32°F ~ 104° F) Wide range temp. storage and peripherals: -20°C ~ 55° C (-4°F ~ 131° F) w/o audio and PoE, E3845/E3826 only Wide range temp. storage and peripherals: -20°C ~ 50° C (-4°F ~ 122° F) with PoE, w/o audio, E3845/E3826 only
Storage Temperature	- 30°C ~ 60°C (- 22°F~140°F)
Humidity	20% ~ 90%

*All information contained in this document is subject to change without prior notice. Please log on www.protech.com.tw to acquire latest information.



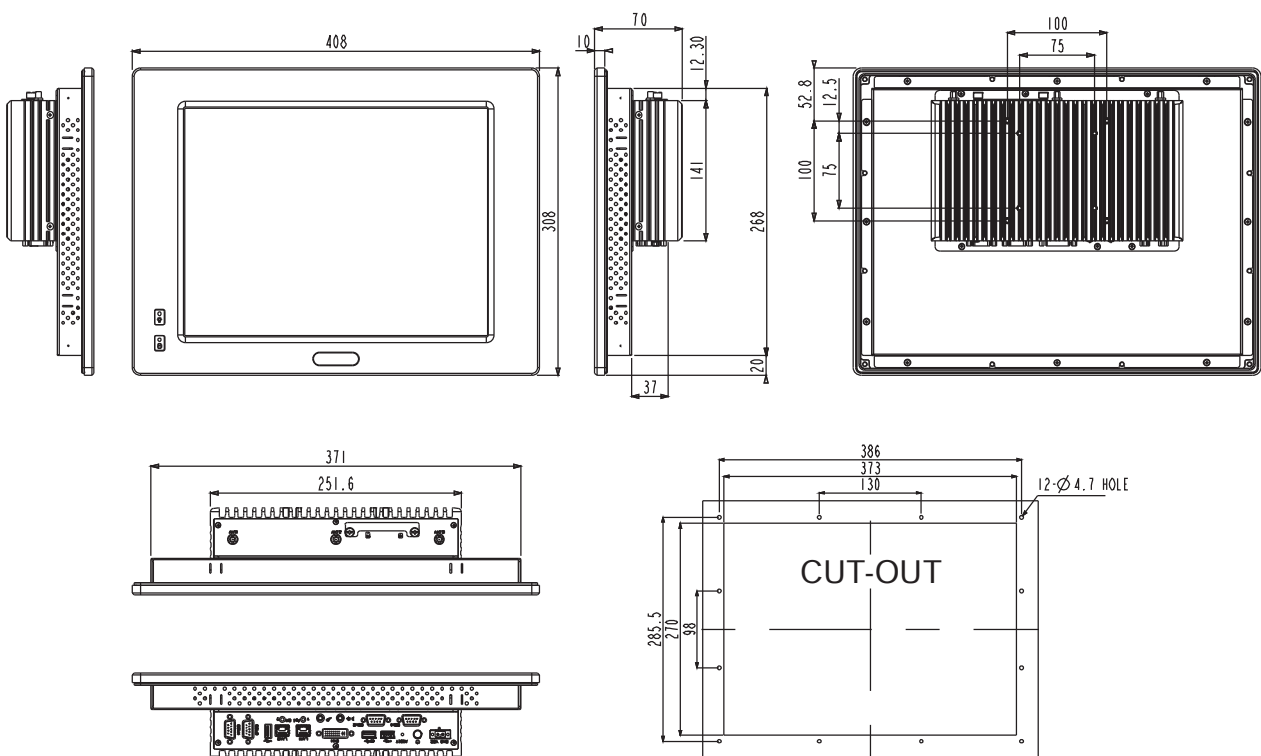
Ordering Information

Order No	Description
SP-6145RA-A0B	15" fanless Intel® E3845 on board panel PC with PoE (barebone)
SP-6145RA-B0B	15" fanless Intel® E3826 on board panel PC with PoE (barebone)
SP-6145RA-C0B	15" fanless Intel® J1900 on board panel PC with PoE (barebone)
SP-6145RA-A1B	15" fanless Intel® E3845 on board panel PC w/o PoE (barebone)
SP-6145RA-B1B	15" fanless Intel® E3826 on board panel PC w/o PoE (barebone)
SP-6145RA-C1B	15" fanless Intel® J1900 on board panel PC w/o PoE (barebone)

Ordering Accessories

Order No	Description
52-901-01002213	Wall mount kit
52-002-11072302	72W, 24V DC power adaptor
52-002-05120001	120W, 24V DC power adaptor
SE-8124RZ-WL3	Wi-Fi kit (0°C ~70°C)
SE-8124RZ-WL2	Wi-Fi + BT4.0 kit (0°C ~70°C)
SE-8124RZ-WL1	Wi-Fi kit with wide range temperature (-40°C ~85°C)
SE-8124RZ-3G1	3G kit with GSM 900/1800, HSUPA 900/2100. Wide range temperature

Dimensions



Unit: mm